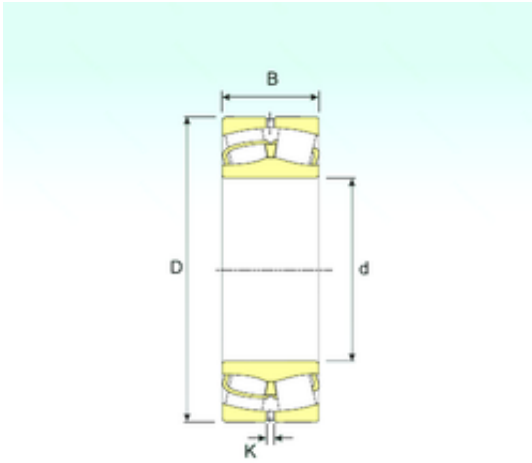




TRAY BEARING-MALAYSIA SDN.BHD.



160 mm x 290 mm x 104 mm ISB 23232
spherical roller bearings

Bearing No. 23232

Size	160x290x104 mm
Bore Diameter	160 mm
Outer Diameter	290 mm
Width	104 mm
d	160 mm
D	290 mm
B	104 mm
C	104 mm
K	7,5 mm
Weight	31 Kg
Basic dynamic load rating (C)	1196 kN
Basic static load rating (C0)	1627 kN
(Grease) Lubrication Speed	1683 r/min

23232 Bearing 2D drawings and 3D CAD models