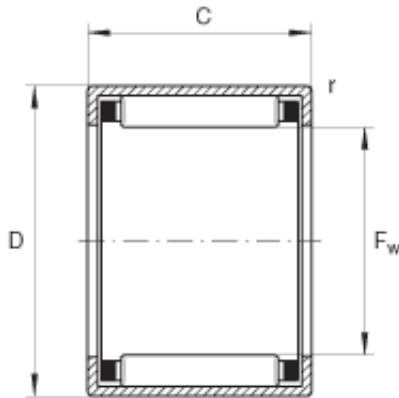




# TRAY BEARING-MALAYSIA SDN.BHD.



## INA HK1616 needle roller bearings

Bearing No. HK1616

Size	16x22x16 mm
Bore Diameter	16 mm
Outer Diameter	22 mm
Width	16 mm
$F_w$	16 mm
D	22 mm
C - 16 mm / Tolerance: -0,3	16 mm / Tolerance: 0,3
$r_{min}$	0,8 mm
m	16 g / Weight
$C_r$	10900 N / Dynamic load rating (radial)
$C_{or}$	15300 N / Static load rating (radial)
$C_{ur}$	1900 N / Fatigue limit load, radial
$n_G$	15600 1/min / Limiting speed
$n_B$	10600 1/min / Reference speed
	IR12X16X16 / Suitable inner ring
Category	Needle Non Thrust Roller Bearings
Inventory	300.0
Manufacturer Name	SCHAEFFLER GROUP
Minimum Buy Quantity	N/A
Weight / Kilogram	0.02
Product Group	B04144

HK1616 Bearing 2D drawings and 3D CAD models



## TRAY BEARING-MALAYSIA SDN.BHD.

Rolling Element	Needle Roller Bearing
Component	Roller Assembly with Outer Ring - No Inner Ring
Enclosure	Open
Self Aligning	No
Retainer	Yes
Number of Rows of Rollers	Single Row
Separable	No
Closed End	No
Inch - Metric	Metric
Relubricatable	No
Thrust Bearing	No
Long Description	16MM Bore; 22MM Outside Diameter; 16MM Width; Needle Roller Bearing; Roller Assembly with Outer Ring - No Inner Ring; Open Enclosure; No Self Aligning; Retainer; Single Row of Rollers; No Separable; N
Other Features	2 Rib Outer Ring   Drawn Cup Bearing   Steel Cage
Category	Needle Non Thrust Roller Bearing
UNSPSC	31171512
Harmonized Tariff Code	8482.40.00.00
Noun	Bearing
Keyword String	Needle
Manufacturer URL	<a href="http://www.ina.com">http://www.ina.com</a>
Manufacturer Item Number	HK1616
Weight / LBS	0.035
Width	0.63 Inch   16 Millimeter
Bore	0.63 Inch   16 Millimeter
Outside Diameter	0.866 Inch   22 Millimeter