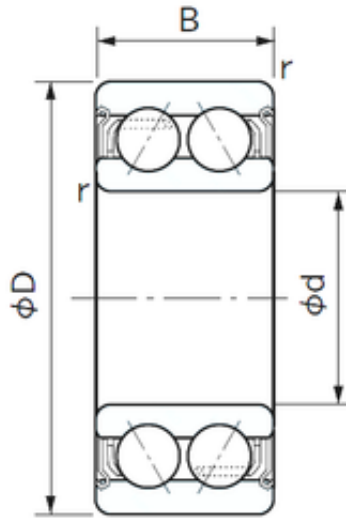




## TRAY BEARING-MALAYSIA SDN.BHD.



20 mm x 47 mm x 20.6 mm NACHI 5204AZZ  
angular contact ball bearings

Bearing No. 5204AZZ

5204AZZ Bearing 2D drawings and 3D CAD models

Size	20x47x20.6 mm
Bore Diameter	20 mm
Outer Diameter	47 mm
Width	20.6 mm
d	20 mm
D	47 mm
B	20.6 mm
C	20.6 mm
r min.	1 mm
Weight	0.120 Kg
Basic dynamic load rating (C)	19 kN
Basic static load rating (C0)	12,1 kN
(Grease) Lubrication Speed	9500 r/min
Enclosure	Double Shield
Configuration	Double Row
Bore Type	Cylindrical Bore
Bore Size	20 mm
Outside Diameter	47 mm
Width	20.6 mm
Fillet Radius/Chamfer	1 mm
Dynamic Load Rating	19,000 N
Static Load Rating	12,100 N
Limiting Speed - Oil	9,500 rpm
Radial Clearance	0.005 to 0.020 mm
da	26 mm



## TRAY BEARING-MALAYSIA SDN.BHD.

Da	41 mm
ra	1 mm