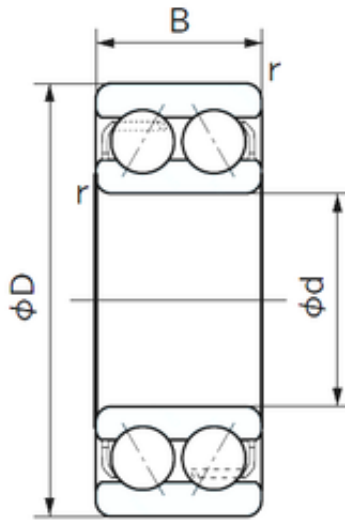




TRAY BEARING-MALAYSIA SDN.BHD.



20 mm x 47 mm x 20.6 mm NACHI 5204A
angular contact ball bearings

Bearing No. 5204A

5204A Bearing 2D drawings and 3D CAD models

Size	20x47x20.6 mm
Bore Diameter	20 mm
Outer Diameter	47 mm
Width	20.6 mm
d	20 mm
D	47 mm
B	20.6 mm
C	20.6 mm
Angle (°)	20 °
r min.	1 mm
Weight	0.120 Kg
Basic dynamic load rating (C)	19 kN
Basic static load rating (C0)	12,1 kN
(Grease) Lubrication Speed	9500 r/min
Enclosure	Open
Configuration	Double Row
Bore Type	Cylindrical Bore
Bore Size	20 mm
Outside Diameter	47 mm
Width	20.6 mm
Fillet Radius/Chamfer	1 mm
Dynamic Load Rating	19,000 N
Static Load Rating	12,100 N
Limiting Speed - Grease	9,500 rpm
Limiting Speed - Oil	13,000 rpm



TRAY BEARING-MALAYSIA SDN.BHD.

Radial Clearance	0.005 to 0.020 mm
da	26 mm 41 mm
Dx	53.5 mm
ra	1 mm
Cy	3.3 mm